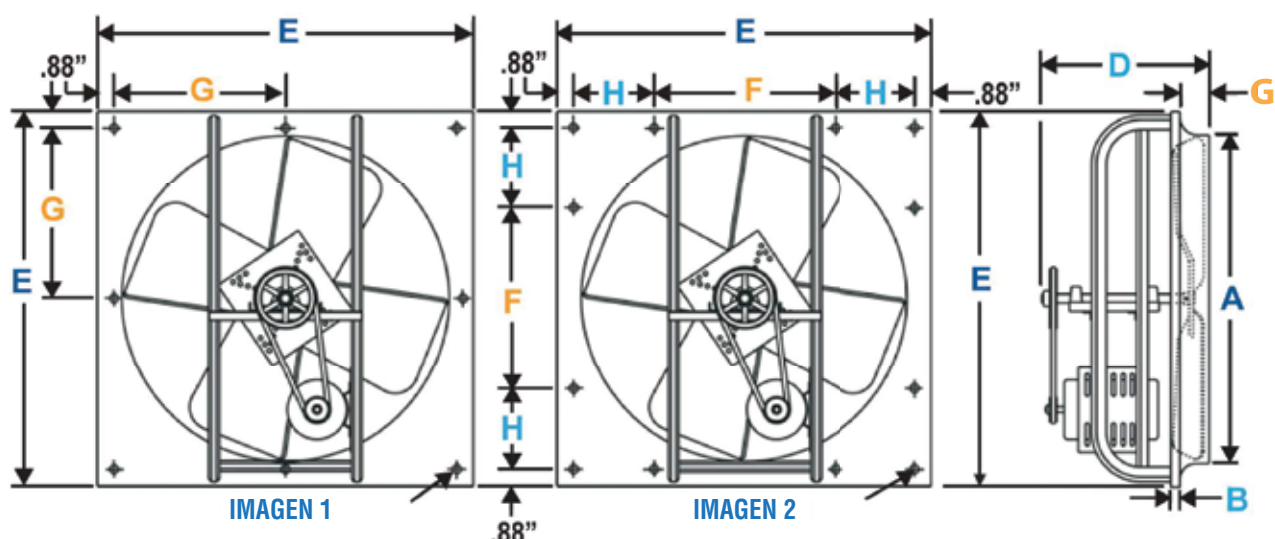




- Cumple con los requisitos OSHA (Administración de Seguridad y de salud ocupacional).
- Equipo en pintura electroestática.
- Persiana, y cajón, disponible (accesorio).

- Ventilador axial de altos caudales y alta presión Heavy Duty.
- Ultrasilencioso.
- Transmisión correa-polea.
- Ideal para uso en parqueaderos y ventilación en general.
- Disponibles en tamaños: de 24" a 60".
- Bajo consumo de energía.
- Garantía de 2 años.
- Certificado UL.
- Motor 3PH-220/440v (motor monofásico disponible).
- Eficiencia premium IE3.
- Normas internacionales IEC 60034, IEC 60072, EMC 2014/30/UE, LVD 2014/35/UE.
- Estándar CE, IP55, clase F. Apto para servicio S1 (funcionamiento continuo con carga constante).

DIMENSIONES (mm)



**MAICO****COLOMBIA**

| MODELO | No. IMAGEN | DIMENSIONES (IN.) | | | | | | | | No. DE ORIFICIOS |
|--------|------------|-------------------|-----|-----|---------|----|------|------|-----|------------------|
| | | A | B | C | D | E | F | G | H | |
| HA24 | 1 | 24-7/16 | 1 | 2 ½ | 15-3/16 | 30 | --- | 14 ½ | --- | 8 |
| HA30 | 1 | 30 ½ | 1 | 2 ⅝ | 18 ⅝ | 36 | --- | 17 ⅝ | --- | 8 |
| HA36 | 1 | 36 ½ | 1 ½ | 3 ¼ | 19 ⅝ | 42 | --- | 20 ⅝ | --- | 8 |
| HA42 | 2 | 42 ½ | 2 | 3 ¼ | 23 ¾ | 48 | 18 ¼ | --- | 14 | 12 |
| HA48 | 2 | 48 ½ | 2 | 3 ¼ | 24 ⅞ | 54 | 18 ¼ | --- | 17 | 12 |
| HA54 | 2 | 54 ½ | 2 | 3 ¼ | 23-7/16 | 60 | 18 ¼ | --- | 20 | 12 |
| HA60 | 2 | 60 ½ | 2 | 3 ¼ | 23-7/16 | 66 | 18 ¼ | --- | 23 | 12 |

RENDIMIENTO

| MODELO | DIÁMETRO | HP | FAN RPM | MAX BHP | CFM / PRESIÓN | | | | | MAX SONES | SHIP WT. | Kg. |
|--------|----------|-----|---------|---------|---------------|-------|-------|-------|-------|-----------|----------|------|
| | | | | | 0" | 1/8" | 1/4" | 3/8" | 1/2" | | | |
| HA24CA | 24" | 1/4 | 746 | 0.28 | 4398 | 3745 | --- | --- | --- | 12.4 | 70 | 28,5 |
| HA24DA | 24" | 1/3 | 805 | 0.37 | 4746 | 4210 | 2885 | --- | --- | 12.9 | 80 | 28,5 |
| HA24FA | 24" | 1/2 | 980 | 0.64 | 5778 | 5409 | 4617 | --- | --- | 18.4 | 85 | 28,5 |
| HA24HA | 24" | 3/4 | 1080 | 0.86 | 6367 | 6049 | 5502 | 4428 | --- | 22.6 | 92 | 28,5 |
| HA24JA | 24" | 1 | 1180 | 1.14 | 6957 | 6674 | 6257 | 5453 | 4462 | 26.3 | 111 | 29 |
| HA24KA | 24" | 1½ | 1340 | 1.63 | 7900 | 7658 | 7349 | 6867 | 6067 | 34.0 | 121 | 29 |
| HA30DA | 30" | 1/3 | 530 | 0.36 | 6518 | 4821 | 2608 | --- | --- | 8.8 | 98 | 29 |
| HA30FA | 30" | 1/2 | 640 | 0.55 | 7871 | 6735 | 4669 | --- | --- | 12.8 | 103 | 29 |
| HA30HA | 30" | 3/4 | 730 | 0.85 | 8978 | 8080 | 6439 | 4690 | --- | 19.3 | 108 | 29,4 |
| HA30JA | 30" | 1 | 820 | 1.14 | 10085 | 9333 | 8114 | 6425 | --- | 20.8 | 127 | 29,4 |
| HA30KA | 30" | 1½ | 930 | 1.67 | 11438 | 10804 | 9913 | 8579 | 7089 | 28.2 | 136 | 29,4 |
| HA36FA | 36" | 1/2 | 561 | 0.56 | 9720 | 8211 | 5602 | --- | --- | 14.0 | 122 | 29,4 |
| HA36HA | 36" | 3/4 | 650 | 0.83 | 11262 | 10143 | 7951 | --- | --- | 18.1 | 128 | 29,9 |
| HA36JA | 36" | 1 | 720 | 1.10 | 12475 | 11533 | 9805 | --- | --- | 21.8 | 148 | 29,9 |
| HA36KA | 36" | 1½ | 820 | 1.65 | 14207 | 13429 | 12223 | 10377 | --- | 26.3 | 157 | 29,9 |
| HA36MA | 36" | 2 | 890 | 2.15 | 15420 | 14721 | 13739 | 12219 | 10464 | 30.3 | 172 | 29,9 |
| HA42FA | 42" | 1/2 | 410 | 0.58 | 12797 | 9882 | --- | --- | --- | 12.0 | 169 | 30,3 |
| HA42HA | 42" | 3/4 | 453 | 0.83 | 14139 | 11686 | 7833 | --- | --- | 14.4 | 170 | 30,3 |
| HA42JA | 42" | 1 | 500 | 1.08 | 15606 | 13517 | 10254 | --- | --- | 17.1 | 215 | 30,3 |
| HA42KA | 42" | 1½ | 583 | 1.66 | 18197 | 16533 | 14113 | --- | --- | 21.1 | 225 | 30,3 |
| HA42MA | 42" | 2 | 635 | 2.20 | 19820 | 18339 | 16298 | 13666 | --- | 24.8 | 235 | 30,8 |
| HA42OA | 42" | 3 | 725 | 3.28 | 22629 | 21378 | 19787 | 17760 | 15381 | 31.8 | 255 | 30,8 |
| HA48HA | 48" | 3/4 | 395 | 0.86 | 17392 | 14182 | --- | --- | --- | 15.9 | 223 | 30,8 |

A brand of **MAICO**(+57) 310 2669941
(+601) 8966250

ventas@maico-colombia.com

maico-colombia.com

MAICO 2024

| MODELO | DIÁMETRO | HP | FAN RPM | MAX BHP | CFM | | | | | MAX SONES | SHIP WT. | Kg. |
|--------|----------|----|---------|---------|-------|-------|-------|-------|-------|-----------|----------|------|
| | | | | | 0" | 1/8" | 1/4" | 3/8" | 1/2" | | | |
| HA48JA | 48" | 1 | 420 | 1.13 | 18493 | 15544 | 10953 | --- | --- | 16.6 | 225 | 30,8 |
| HA48KA | 48" | 1½ | 485 | 1.67 | 21335 | 18883 | 15665 | --- | --- | 23.4 | 230 | 31,2 |
| HA48MA | 48" | 2 | 535 | 2.31 | 23556 | 20848 | 18132 | 14264 | --- | 26.1 | 245 | 31,2 |
| HA48OA | 48" | 3 | 610 | 3.43 | 26858 | 24896 | 22832 | 20205 | --- | 35.5 | 265 | 31,2 |
| HA48PA | 48" | 5 | 690 | 4.79 | 30381 | 28610 | 26909 | 24888 | 22419 | 53.9 | 285 | 31,2 |
| HA54JA | 54" | 1 | 301 | 1.11 | 21524 | 17049 | 8814 | --- | --- | 12.6 | 310 | 31,7 |
| HA54KA | 54" | 1½ | 353 | 1.65 | 25243 | 21902 | 15939 | --- | --- | 16.2 | 313 | 31,7 |
| HA54MA | 54" | 2 | 383 | 2.20 | 27388 | 24450 | 19521 | 12944 | --- | 18.7 | 320 | 31,7 |
| HA54OA | 54" | 3 | 437 | 3.31 | 31250 | 28802 | 25241 | 20099 | 14178 | 23.4 | 370 | 31,7 |
| HA54PA | 54" | 5 | 527 | 5.50 | 37686 | 35717 | 33353 | 30099 | 25907 | 31.8 | 385 | 32,2 |
| HA54QA | 54" | 7½ | 600 | 8.13 | 42906 | 41174 | 39308 | 36935 | 33896 | 41.4 | 455 | 32,2 |
| HA60KA | 60" | 1½ | 295 | 1.64 | 28923 | 24368 | 16985 | --- | --- | 22.1 | 395 | 32,2 |
| HA60MA | 60" | 2 | 328 | 2.20 | 32158 | 28269 | 22401 | --- | --- | 26.1 | 400 | 32,2 |
| HA60OA | 60" | 3 | 373 | 3.29 | 36570 | 33294 | 28826 | 22824 | --- | 30.3 | 450 | 32,6 |
| HA60PA | 60" | 5 | 447 | 5.50 | 43825 | 41170 | 38024 | 33975 | --- | 44.3 | 465 | 32,6 |
| HA60QA | 60" | 7½ | 510 | 8.18 | 50002 | 47680 | 45165 | 42090 | 38385 | 57.2 | 535 | 32,6 |
| HA60RA | 60" | 10 | 570 | 11.31 | 55885 | 53786 | 51667 | 49180 | 46262 | 68.5 | 555 | 32,6 |

ANOTACIONES

